

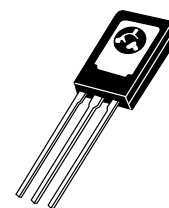
Complementary Silicon Power Transistors

... designed specifically for use with the MC3419 Solid-State Subscriber Loop Interface Circuit (SLIC).

- High Safe Operating Area
IS/B @ 40 V, 1.0 s = 0.375 A — TO-126
- Collector-Emitter Sustaining Voltage
V_{CEO(sus)} = 100 Vdc (Min)
- High DC Current Gain
h_{FE} @ 120 mA, 10 V = 1500 (Min)

NPN
MJE270
PNP
MJE271

2.0 AMPERE
COMPLEMENTARY
POWER DARLINGTON
TRANSISTORS
100 VOLTS
15 WATTS



CASE 77-08
TO-225AA TYPE

MAXIMUM RATINGS

Rating	Symbol	Value	Unit
Collector-Emitter Voltage	V _{CEO}	100	Vdc
Collector-Base Voltage	V _{CB}	100	Vdc
Emitter-Base Voltage	V _{EB}	5.0	Vdc
Collector Current — Continuous — Peak	I _C	2.0 4.0	Adc
Base Current	I _B	0.1	Adc
Total Power Dissipation @ T _C = 25°C Derate above 25°C	P _D	15 0.12	Watts W/°C
Total Power Dissipation @ T _A = 25°C Derate above 25°C	P _D	1.5 0.012	Watts W/°C
Operating and Storage Junction Temperature Range	T _J , T _{stg}	-65 to +150	°C

THERMAL CHARACTERISTICS

Characteristic	Symbol	Max	Unit
Thermal Resistance, Junction to Case	R _{θJC}	8.33	°C/W
Thermal Resistance, Junction to Ambient	R _{θJA}	83.3	°C/W

MJE270 MJE271

ELECTRICAL CHARACTERISTICS (T_C = 25°C unless otherwise noted)

Characteristic	Symbol	Min	Max	Unit
OFF CHARACTERISTICS				
Collector–Emitter Sustaining Voltage (1) (I _C = 10 mAdc, I _B = 0)	V _{CEO(sus)}	100	—	Vdc
Collector Cutoff Current (V _{CE} = 100 Vdc, I _B = 0)	I _{CEO}	—	1.0	mAdc
Collector Cutoff Current (V _{CB} = 100 Vdc, I _E = 0)	I _{CBO}	—	0.3	mAdc
Emitter Cutoff Current (V _{BE} = 5.0 Vdc, I _C = 0)	I _{EBO}	—	0.1	mAdc

SECOND BREAKDOWN

Second Breakdown Collector Current with Base Forward Biased (V _{CE} = 40 Vdc, t = 1.0 s, non–repetitive)	I _{S/b}	375	—	Adc
--	------------------	-----	---	-----

ON CHARACTERISTICS (1)

DC Current Gain (I _C = 20 mAdc, V _{CE} = 3.0 Vdc) (I _C = 120 mAdc, V _{CE} = 10 Vdc)	h _{FE}	500 1500	—	—
Collector–Emitter Saturation Voltage (I _C = 20 mAdc, I _B = 0.2 mAdc) (I _C = 120 mAdc, I _B = 1.2 mAdc)	V _{CE(sat)}	—	2.0 3.0	Vdc
Base–Emitter On Voltage (I _C = 120 mAdc, V _{CE} = 10 Vdc)	V _{BE(on)}	—	2.0	Vdc

DYNAMIC CHARACTERISTICS

Current Gain — Bandwidth Product (2) (I _C = 0.05 Adc, V _{CE} = 5.0 Vdc, f _{test} = 1.0 MHz)	f _T	6.0	—	MHz
---	----------------	-----	---	-----

NOTES:

- (1) Pulse Test: Pulse Width ≤ 300 μs, Duty Cycle ≤ 2.0%.
- (2) f_T = |h_{fe}| • f_{test}.

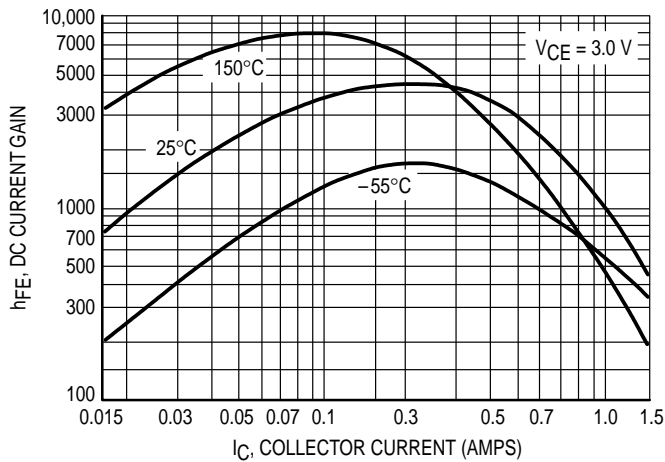


Figure 1. DC Current Gain

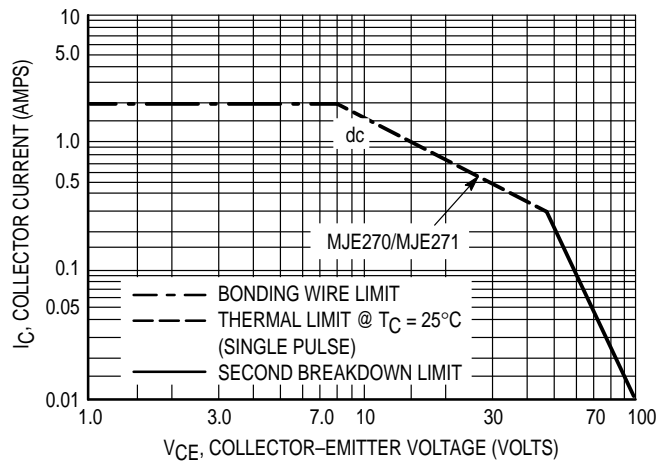
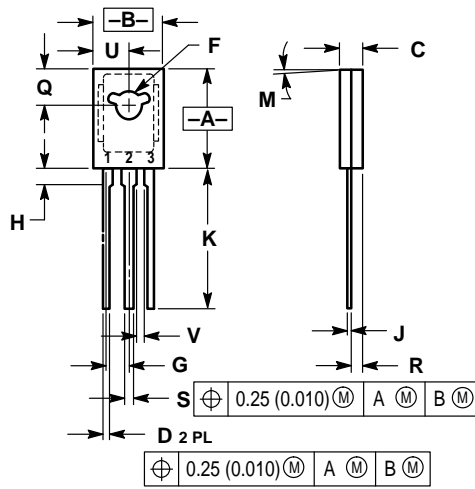


Figure 2. Safe Operating Area

PACKAGE DIMENSIONS




- NOTES:
 1. DIMENSIONING AND TOLERANCING PER ANSI Y14.5M, 1982.
 2. CONTROLLING DIMENSION: INCH.

DIM	INCHES		MILLIMETERS	
	MIN	MAX	MIN	MAX
A	0.425	0.435	10.80	11.04
B	0.295	0.305	7.50	7.74
C	0.095	0.105	2.42	2.66
D	0.020	0.026	0.51	0.66
F	0.115	0.130	2.93	3.30
G	0.094 BSC		2.39 BSC	
H	0.050	0.095	1.27	2.41
J	0.015	0.025	0.39	0.63
K	0.575	0.655	14.61	16.63
M	5° TYP		5° TYP	
Q	0.148	0.158	3.76	4.01
R	0.045	0.055	1.15	1.39
S	0.025	0.035	0.64	0.88
U	0.145	0.155	3.69	3.93
V	0.040	—	1.02	—

- STYLE 3:
 PIN 1. BASE
 2. COLLECTOR
 3. EMITTER

CASE 77-08
 TO-225AA TYPE
 ISSUE V

Motorola reserves the right to make changes without further notice to any products herein. Motorola makes no warranty, representation or guarantee regarding the suitability of its products for any particular purpose, nor does Motorola assume any liability arising out of the application or use of any product or circuit, and specifically disclaims any and all liability, including without limitation consequential or incidental damages. "Typical" parameters can and do vary in different applications. All operating parameters, including "Typicals" must be validated for each customer application by customer's technical experts. Motorola does not convey any license under its patent rights nor the rights of others. Motorola products are not designed, intended, or authorized for use as components in systems intended for surgical implant into the body, or other applications intended to support or sustain life, or for any other application in which the failure of the Motorola product could create a situation where personal injury or death may occur. Should Buyer purchase or use Motorola products for any such unintended or unauthorized application, Buyer shall indemnify and hold Motorola and its officers, employees, subsidiaries, affiliates, and distributors harmless against all claims, costs, damages, and expenses, and reasonable attorney fees arising out of, directly or indirectly, any claim of personal injury or death associated with such unintended or unauthorized use, even if such claim alleges that Motorola was negligent regarding the design or manufacture of the part. Motorola and  are registered trademarks of Motorola, Inc. Motorola, Inc. is an Equal Opportunity/Affirmative Action Employer.

How to reach us:

USA / EUROPE: Motorola Literature Distribution;
P.O. Box 20912; Phoenix, Arizona 85036. 1-800-441-2447

JAPAN: Nippon Motorola Ltd.; Tatsumi-SPD-JLDC, Toshikatsu Otsuki,
6F Seibu-Butsuryu-Center, 3-14-2 Tatsumi Koto-Ku, Tokyo 135, Japan. 03-3521-8315

MFAX: RMFAX0@email.sps.mot.com - TOUCHTONE (602) 244-6609
INTERNET: <http://Design-NET.com>

HONG KONG: Motorola Semiconductors H.K. Ltd.; 8B Tai Ping Industrial Park,
51 Ting Kok Road, Tai Po, N.T., Hong Kong. 852-26629298

